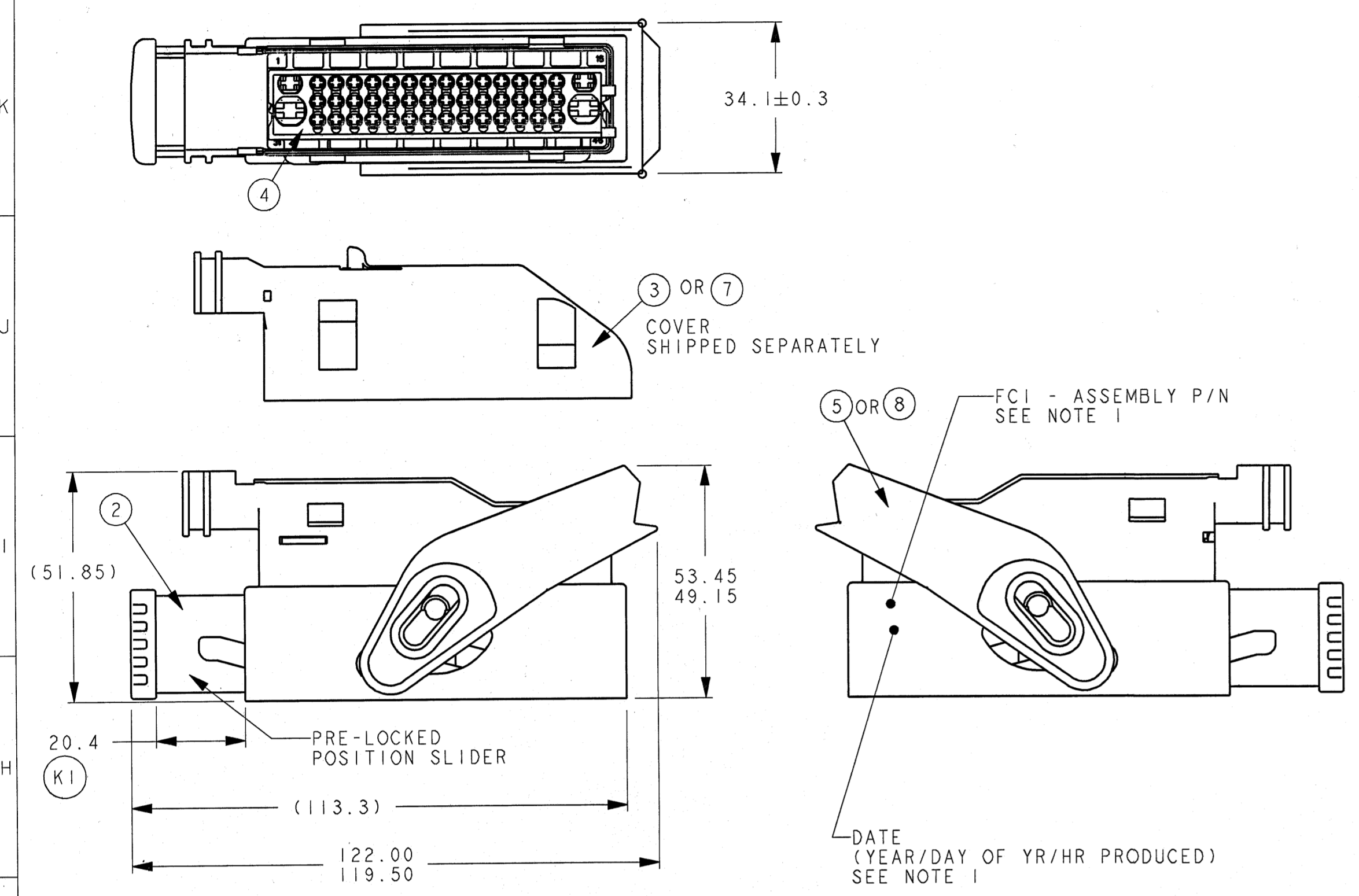
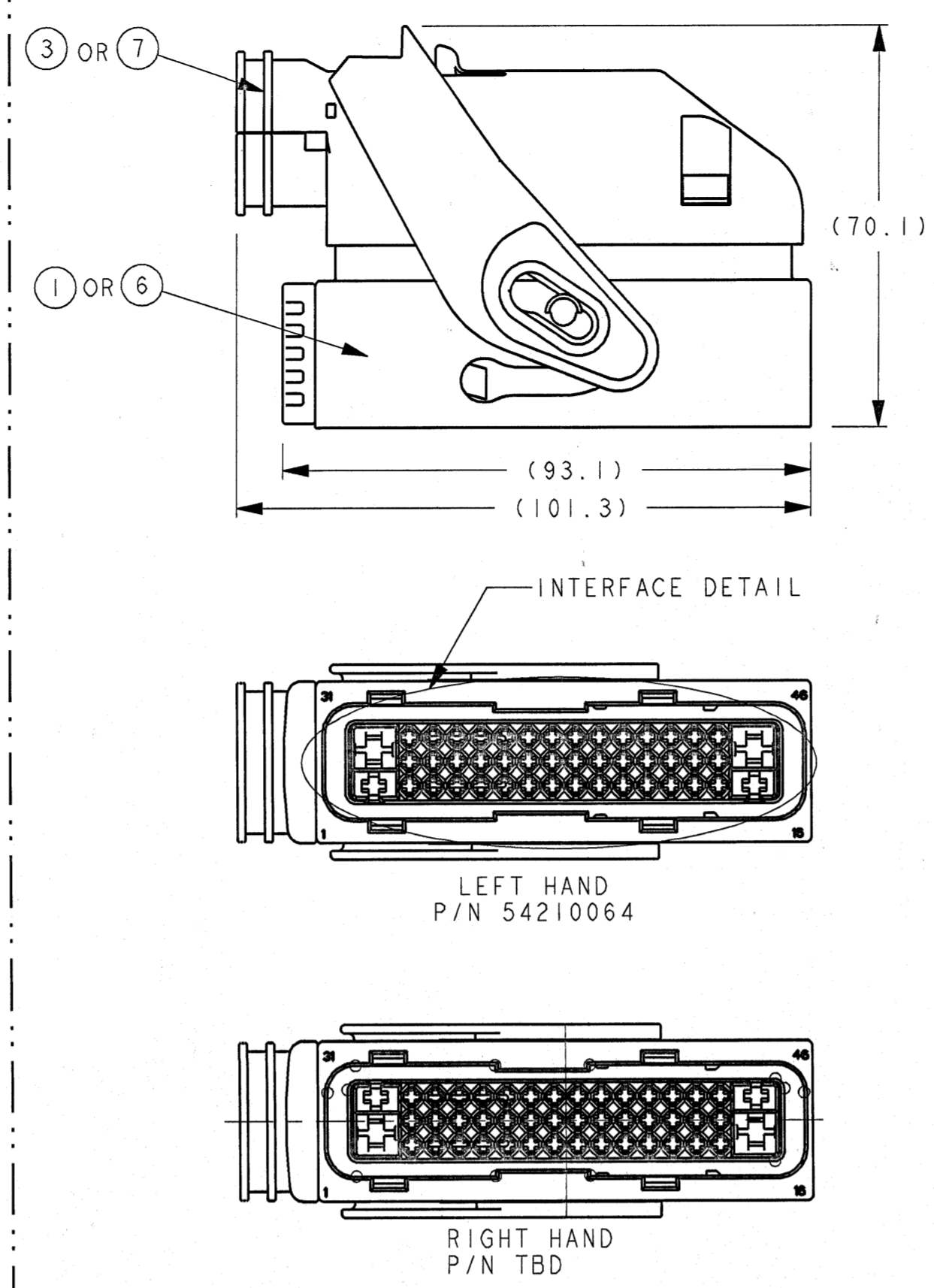


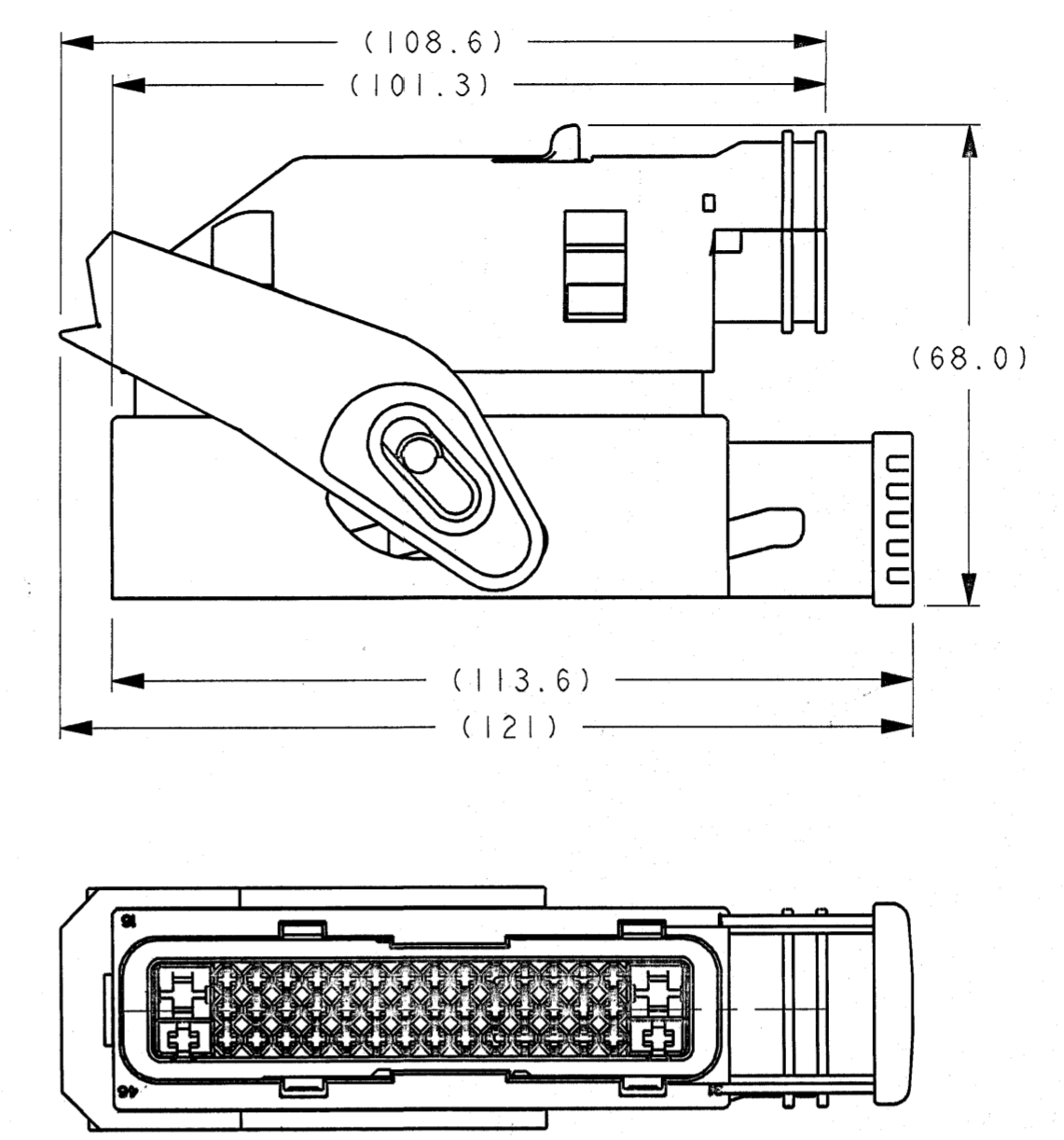
DELIVERY CONDITION: LEFT HAND VERSION SHOWN
RIGHT HAND VERSION SYMMETRICALLY OPPOSITE



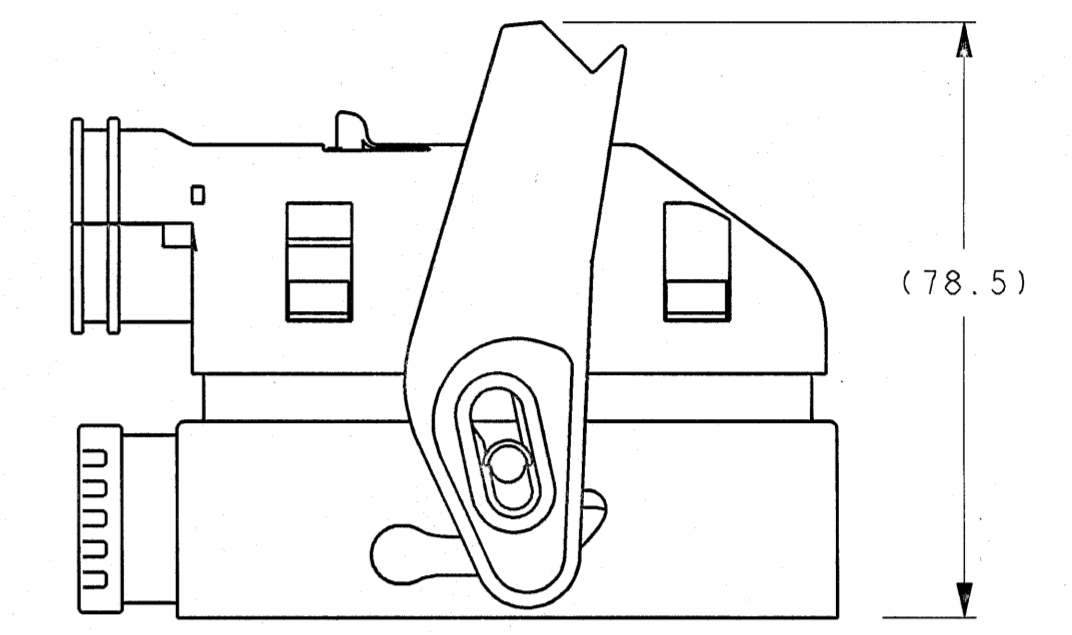
INSTALLATION OVERALL DIMENSIONS:
CLOSED POSITION



OPEN CONDITION: RIGHT HAND VERSION
COVER SHIPPED SEPARATELY
COVER SHOWN FOR VISUALIZATION ONLY
LEFT HAND VERSION SYMMETRICALLY OPPOSITE



ASSEMBLY AT HIGHEST LOCATION
DURING INSTALLATION



TERMINAL, SEAL AND WIRE SIZE CHART

BOX-TERMINAL	WIRE SIZE (AWG)	PLATING TYPE	INSULATION TYPE	SEAL PART NUMBER	WIRE SIZE (AWG)	MATERIAL/COLOR
BOX-TERMINAL 4.8 FEMALE 6 004 04 61	10	MATTE TIN	TXL	6 099 26 06	10	SILICONE / WHITE
BOX-TERMINAL 4.8 FEMALE 6 004 04 51	12		GXL/TXL	6 099 26 06	12	SILICONE / WHITE
BOX-TERMINAL 4.8 FEMALE 6 004 04 41	14-16	MATTE TIN	GXL/TXL	6 099 26 04	14	SILICONE / YELLOW
BOX-TERMINAL 4.8 FEMALE 6 004 04 31 6 004 04 32	18-20		GXL/TXL	6 099 26 07	18-20 TXL	SILICONE / GREEN
DCS-2 2.8 mm FEMALE 6 001 29 41 6 001 29 42	14-16	MATTE TIN	GXL/TXL	6 099 40 34	14-16 GXL	SILICONE / YELLOW
DCS-2 2.8 mm FEMALE 6 001 29 41 6 001 29 42	18-20		GXL/TXL	6 099 40 23	14 TXL	SILICONE / BROWN
			GXL/TXL	6 099 40 23	16 TXL	SILICONE / BROWN
DCS-2 2.8 mm FEMALE 6 001 29 11 6 001 29 12	22	GXL/TXL	6 099 40 15	22 GXL/TXL	SILICONE / BLUE	
DCS-2 1.5 mm FEMALE 6 000 06 41	16	MATTE TIN	TXL	6 099 39 34	16-18	SILICONE / YELLOW
DCS-2 1.5 mm FEMALE 6 000 06 31	18-20		GXL	A-0110**	18-20	SILICONE / BURNT ORANGE
DCS-2 1.5 mm FEMALE 6 000 06 31	18-20		TXL	6 099 39 28	20	SILICONE / GRAY
DCS-2 1.5 mm FEMALE 6 000 06 11	22-24	TXL	6 099 39 13	22	SILICONE / RED	
CAVITY PLUG 1.5mm	N/A	N/A	N/A	6 099 39 06	N/A	SILICONE / WHITE

** VENDOR - QSR (QUALITY SYNTHETIC RUBBER)

CONNECTOR CAVITY FLASHOVER CHART (K2)

PROGRAM	HOUSING PART NUMBER	ASSEMBLY * PART NUMBER	KEY	WIRE DRESS	CONTACT CAVITY FLASHOVER PATTERN ("X" SIGNIFIES FLASHED OVER CAVITY)
46-WAY ABS (VENUS)	54210041	54210043	N/A	LH	31 X2 X3 X4 X5 X6 X7 X8 X9 X10 X11 X12 X13 X14 X15 X16 X17 X18 X19 X20 X21 X22 X23 X24 X25 X26 X27 X28 X29 X30 X31 X32 X33 X34 X35 X36 X37 X38 X39 X40 X41 X42 X43 X44 X45 X46
	54210041A***	54210043A			1 X2 X3 X4 X5 X6 X7 X8 X9 X10 X11 X12 X13 X14 X15 X16
	54210042	54210044	N/A	LH	31 X2 X3 X4 X5 X6 X7 X8 X9 X10 X11 X12 X13 X14 X15 X16 X17 X18 X19 X20 X21 X22 X23 X24 X25 X26 X27 X28 X29 X30 X31 X32 X33 X34 X35 X36 X37 X38 X39 X40 X41 X42 X43 X44 X45 X46
	54210042A***	54210044A			1 X2 X3 X4 X5 X6 X7 X8 X9 X10 X11 X12 X13 X14 X15 X16

CAVITY VIEW PERSPECTIVE LOOKING AT BOTTOM OF CONNECTOR
*CONTACT FCI FOR DELIVERY LEAD TIME
***PART MATERIAL >PA66-GF35<

- NOTES:
- FCI CONNECTOR ASSEMBLY PART NUMBER (LAST 4 OR 5 DIGITS) DATE (YR/DAY OF YR/HR PRODUCED) LASER MARKING THIS LOCATION.
 - (K) INDICATES IN-PROCESS INSPECTION FOR MANUFACTURING, DIMENSIONS(S) OR SPECIFICATIONS(S) REQUIRED (3).
 - (NOTE REMOVED)
 - COMPONENTS MOLDED PRIOR TO 3/2/04 HAVE NO P/N MARKING, WERE MARKED WITH >SPS-GF30< DESIGNATION.
 - OPTIONAL MATERIAL PRIOR TO 3/2/04. QUESTRA N WA 7030, COLOR GRAY
 - COMPONENTS MOLDED PRIOR TO 3/2/04 WERE MARKED WITH >SPS-GF20< DESIGNATION
 - COMPONENTS MOLDED PRIOR TO 3/2/04 WERE MARKED WITH P/N 54210047 AND 2003 CALENDAR YEAR DESIGNATION.
 - QUALITY ASSURANCE REQUIREMENTS SPC DATA - SEALING COMPRESSION
1) GAP MEASUREMENT 0-0.45mm USING GAUGE TL-346-J WHERE 0 - REPRESENTS AIR GAP OF 1.85mm AND 0.45mm AIR GAP OF 1.40mm MEASURE IN MIDDLE OF SEAL AREA
 - MATES WITH P/N'S 54430013, 54430012 & 54430011
 - FOR ALL COMPONENT PART NUMBERS ENDING IN "A" (ALL COMPONENT PARTS MADE FROM PA66-GF35) THE MOLDED IN PART NUMBER MAY APPEAR WITHOUT THE LETTER "A", HOWEVER, THE MOLDED IN MATERIAL CODE MUST BE ">PA66-GF35<".

UNCONTROLLED

FCI AUTOMOTIVE
MAR - 3 2006
MASTER COPY WHEN IN RED

ECN NUMBER	DATE	W-D-Y	REVISION	ZONE	CHANGE DESCRIPTION	DRAWN BY	CHK. BY	APPR. BY
8388	02/28/06	C	K10, J13	ADDED ITEM NUMBERS TO CORRESPOND WITH ITEM OPTIONS	LDW	ALM	ALM	
8164	11/28/05	B	A18	UPDATED PART NUMBERS TO INCLUDE ALTERNATE MATERIALS	LDW	ALM	ALM	
8164	11/28/05	B	C9	UPDATED PART NUMBERS TO REFLECT ALTERNATE MATERIAL	LDW	ALM	ALM	
6871	06/21/04	A		PRODUCTION RELEASE	DEH	TK	TK	

ASSEMBLY COMPONENTS

REQUIRED ITEM	PART NUMBER	DESCRIPTION	MATERIAL	COLOR
X	54210053	FEMALE HOUSING - LH	>SPS-GF20<	BLACK
X	54210065	SLIDER	>POM-GF25<	WHITE (NATURAL)
X	54210045	WIRE DRESS COVER	>SPS-GF30<	BLACK
X	54210014	CABLE SEAL RETAINER - LH	>PA66-GF15<	NATURAL
X	54210046	LEVER	>SPS-GF30<	GRAY
X	54210053A	FEMALE HOUSING - LH	>PA66-GF35<	BLACK
X	54210045A	WIRE DRESS COVER	>PA66-GF35<	BLACK
X	54210046A	LEVER	>PA66-GF35<	GRAY

SEE CHART	PART NUMBER	DESCRIPTION	PART NUMBER	REV DATE	RLV	DRAWING NUMBER
	F.C.I.					CUSTOMER

单击下面可查看定价，库存，交付和生命周期等信息

[>>FCI / Amphenol ICC](#)